

# NETBOX 3



Inside NETBOX 3 the new interface modules are working and the interface to measuring computer is Ethernet.

One BOX offers 4 / 8 / 12 / 16 channels for inductive Transducers and 16 channels digital I/O operating with 24V/DC.

Optional inductive transducers (Mahr, Knäbel, Marposs, Solartron etc.) or incremental transducers (Heidenhain, Magnescale, Mahr, Zeiss etc.) are available.

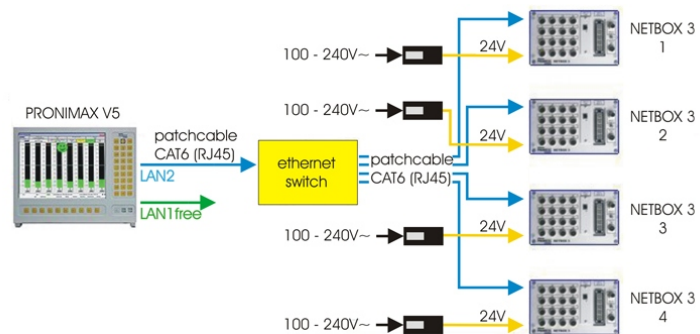
The interface to measuring computer could transfer up to 1000 measuring values per second.

unit with 4 / 8 / 12 / 16 inputs for inductive transducers  
TESA/DC or compatible

optional incremental probes  
(Heidenhain, Mahr, Zeiss etc.)

16 digital inputs and outputs  
24V DC optically isolated

up to 1000 measuring values  
per second



- SPC unit in aluminium enclosure, powdercoated in light grey and blue
- WxHxD = 260x70x160 mm, splash water and dust protected
- weight 4kg (incl. power supply)
- operating temperature 10°-45°C
- external power supply or NET-V-BOX

ISO 9001:2015  
BUREAU VERITAS  
Certification



www.promess-gmbh.de  
promess@promess-gmbh.de

01 / 2018

PROMESS GmbH  
Schaffhausener Straße 44  
D-12099 Berlin  
Tel: +49 / 30 / 628935-0  
Fax: +49 / 30 / 6253076

PROMESS GmbH  
Büro West  
Hanns-Martin-Schleyer Straße 12-14  
D-47877 Willich  
Tel: +49 / 2154 / 8869-21  
Fax: +49 / 2154 / 8869-29